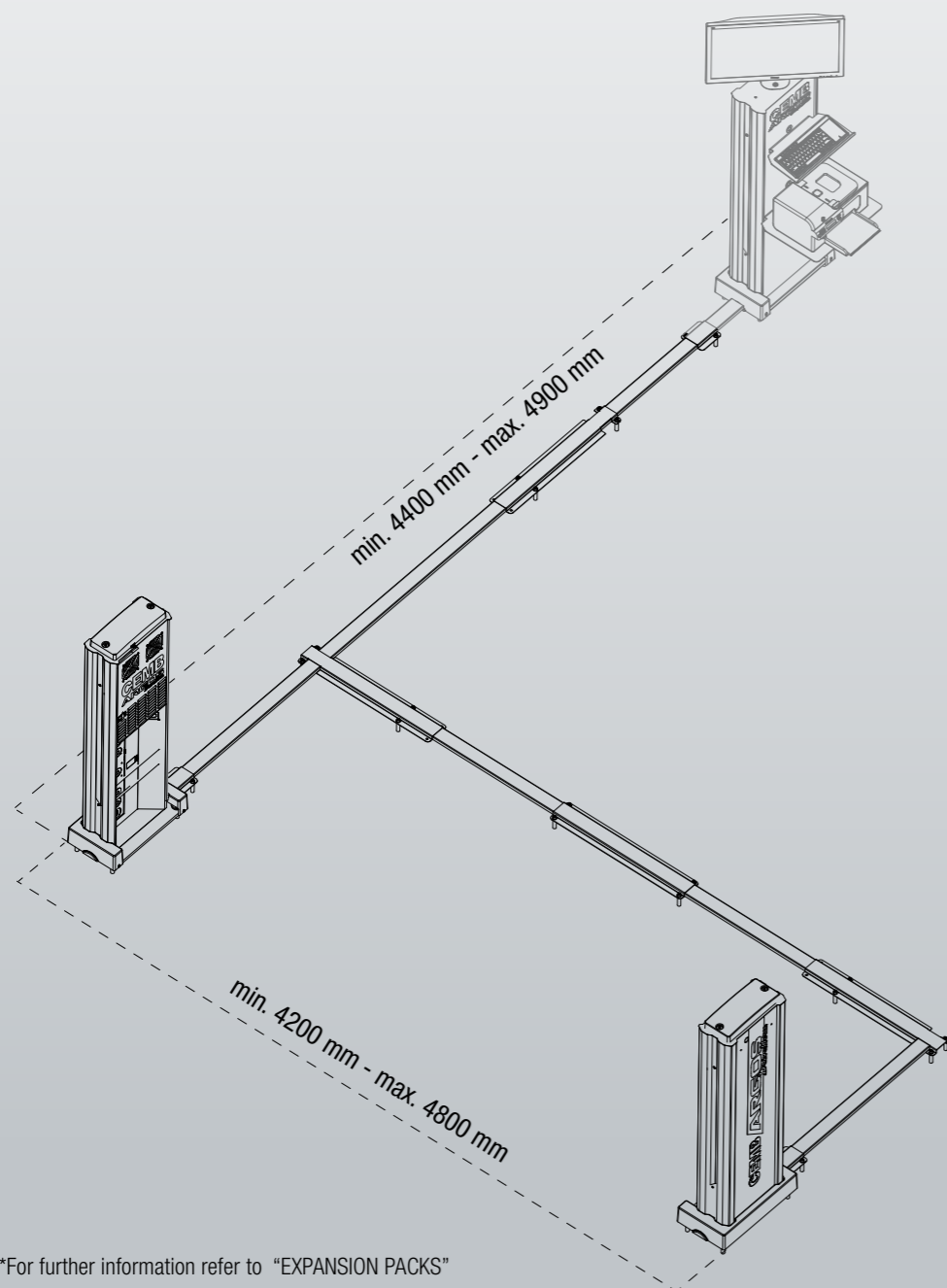


ARGOS *Drivethru* OPTIONS

- 50" monitor with wall mount
- 27" monitor with support column
- Wifi printer
- New vehicle licence plate recognition: the camera, integrated in the Argos Drivethru columns, recognises the vehicle's licence plate from the first moment it enters the workshop and automatically calls up its specifications*
- Known vehicle license plate recognition: the integrated camera recognises the vehicle's license plate by automatically recalling the previously selected specifications. The vehicle specifications must be selected manually on first access*



*For further information refer to "EXPANSION PACKS"



CEMB

CEMB S.p.A.
Via Risorgimento, 9
23826 Mandello del Lario (LC) Italy
www.cemb.com



Garage equipment division
CEMB - ITALY
Plant and Training Center
phone +39 0341 706111
garage@cemb.com

AGCA06320

ARGOS *Drivethru*

HI-TECH RECEPTION LANE



CEMB

SAVE TIME WITH NON-CONTACT MEASUREMENTS!



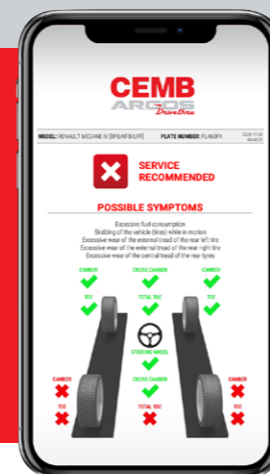
FULL ALIGNMENT CHECK IN SECONDS

- Place **ARGOS DRIVETHRU** in the reception lane of your shop; it is adaptable to any work environment
- Increase **customers' satisfaction** levels by offering a fast, complete and highly professional service
- Offer your customers maximum transparency with **clear and immediately understandable diagnostic reports**
- **Increase your turnover** by checking all incoming vehicles in a few seconds and identifying those that show anomalies and need adjustments
- **Eliminate efforts** thanks to fully automated procedures with consequent time savings

- **Identification of full alignment**, including partial Toe and steering angle
- **Autonomous control of the alignment** that can be performed directly by the customer by following simple steps shown on the screen
- **Non-contact measurement**: no more clamps, targets or sensors for effective time savings and no risk of damaging the rims
- **Diagnosis of vehicle anomalies** and indication of possible related symptoms (fuel consumption, tyre wear, driving and steering anomalies)
- **Automatic selection of vehicle specifications** via license plate recognition (optional)* or Fast specs search
- **Real-time specs**: vehicle specifications database updated in real time
- **Remote control app** for tablets and smartphones
- 4 different **customizable** graphic layouts

OPTIONAL

| | | Vehicles checked | Needing adjustment | Adjustments sold | Profit |
|---------------------|-----------------------------------|------------------|--------------------|------------------|--------|
| 60 Vehicles / week | TRADITIONAL inspection | 20% | 6 | 3 | |
| | ARGOS Drivethru inspection | 100% | 30 | 15 | |



Send real-time results to your customers directly via smartphone and tablet



or provide printed report