

ER 63



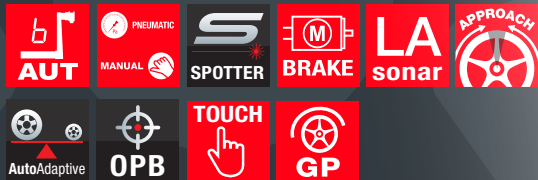
NEW GENERATION DIGITAL WHEEL BALANCER



ER63 EVO



ER63 SPOTTER



CEMB
GARAGE EQUIPMENT



ER63

- **Data entry via automatic gauge** to measure the distance and diameter of rims of up to 28" with an innovative clip to hold the adhesive weight
- **Sonar LA** for automatic measurement of the wheel width **CEMB PATENT**
- **Electromagnetic brake** for the lock of the wheel in the exact weight position
- **17" digital interface** with intuitive graphics for fast and precise interaction
- **Automatic approach** of the wheel within 15° from the point of application of the balancing weight, to allow the operator to position it correctly, with minimum movement
- **Correction mode with LASER line** for quick and intuitive positioning of the adhesive weights inside the rim (for **ER63EVO - ER63SE EVO**)
- **Correction mode with SPOTTER laser** - Advanced technology that uses a laser pointer to indicate the precise positioning of the adhesive weights, eliminating any possibility of error during correction (for **ER63 SPOTTER - ER63SE SPOTTER**)
- **LED light** to illuminate the working area inside the rim
- **AutoAdaptive Mode** - The new tolerance calculation system
- **OPB One Plane Balancing** - Correction of both static and dynamic unbalance on one plane at once and with only one weight (only for **ER63 SPOTTER - ER63SE SPOTTER**)
- Software programs for the professionals: **SPLIT, OPT, ALU**
- **ALU-S 3D Balancing mode** - Adhesive weights on the internal rim planes with specific counterweight position indicator
- **Pneumatic wheel locking CEMB PATENT** - Floor to floor time reduction / Extremely easy and quick to use / Very accurate wheel centering (only for **ER63SE EVO - ER63SE SPOTTER**)

FOR ALL MODELS

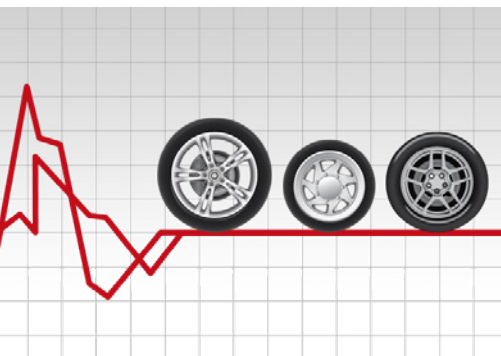
AUTOMATIC APPROACH



Automatic Approach

AUTOMATIC APPROACH TO THE CORRECTION POSITION

- Once the measuring launch is completed, the wheel automatically stops around 15° from the exact point of application of the counterweight, allowing the operator to position it correctly with a little movement. After the first plane correction, pressing start/repositioning button the wheel will be repositioned around the second correction point.



AutoAdaptive Mode

THE NEW TOLERANCE CALCULATION SYSTEM

- The innovative tolerance calculation system **AutoAdaptive Mode** is based on the evaluation of the residual imbalance limit value corresponding to an acceptable perceived vibration. For each wheel that is balanced, the software **AutoAdaptive Mode** detects weight and dimensions and calculates the tolerance value that will cancel any vibration perceived on the steering wheel. **AutoAdaptive Mode** grants the highest comfort when driving and saves balancing time.

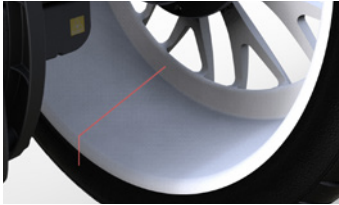
■ ERGONOMICS AND PRACTICALITY

thanks to the sturdy and spacious weight tray that allows everything to be at hand. The integrated cutter and magnetic waste bin keep the work space clean and tidy, for maximum efficiency.



■ TWO VERSIONS with different correction modes:

H.6 LINE LASER



SPOTTER LASER



LA
SONAR



CEMB PATENT

PNEUMATIC
LOCKING

ONLY FOR
ER63 SPOTTER- ER63SE SPOTTER MODELS



Laser Spotter

PERFECT BALANCING IN JUST ONE SPIN

- Preview of the exact weight positioning spot visible already during the wheel dimensions acquisition phase.
- During the correction, the **LASER SPOTTER** pinpoints the exact position for stick-on weights application inside the rim. Thanks to the electric brake - which locks the wheel into the exact angular position of the unbalance - you avoid possible errors during the weight application making the balancing process faster, simpler and more precise.
- In static balancing mode, **LASER SPOTTER** detects the exact static weight location, in order to minimize the residual unbalance on the external planes.



One Plane Balancing

WHERE INNOVATION MEETS SIMPLICITY

- **OPB** (One Plane Balancing), eliminates both static and dynamic unbalance with a single counterweight, indicating the exact position to apply the weight inside the rim. The balancer automatically detects if it is possible to correct both unbalances with only one weight and activates **OPB program**. A real revolution in wheel balancing. **OPB** saves you time while maximizing your productivity.

STANDARD ACCESSORIES

In 1952 Cemb created the cone adapters for balancing machines and since then the company continued developing and producing high precision centering systems for any type of wheel. CEMB DOES NOT RECOMMEND THE USE OF NON-ORIGINAL ADAPTERS ON ITS BALANCING MACHINES.

UC20/2 GL40

composed of quick locknut GL40, 3 cones kit and width gauge



MANUAL
LOCKING



KIT GHIERA - 41FF83146
Locknut Kit (quick locknut GL40,
with sleeve and ring)



KIT 3 CONES - 41FF034416
Ø 45÷110 mm,
pincer-hammer and 60 g. counterweight



46FC77653
Width gauge

UC20/SE2

composed of SE KIT, 3 cones kit and width gauge



PNEUMATIC
LOCKING



SE KIT - 41FF034417
(ring, quick locking sleeve
SE2, SE spacer)



KIT 3 CONES - 41FF034416
Ø 45÷110 mm,
pincer-hammer and 60 g. counterweight



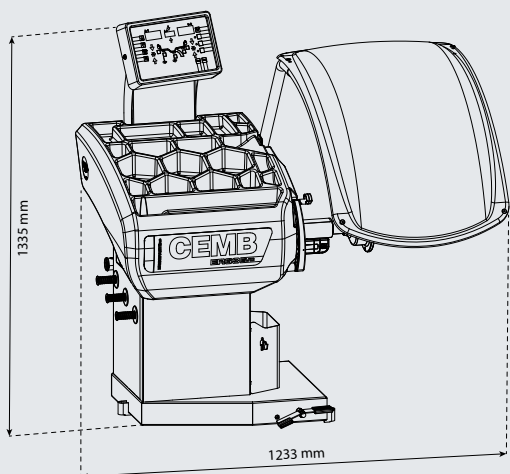
46FC77653
Width gauge



Zero Weight / Easy Weight Lifts

OPTIONS TO REDUCE ANY EFFORT

- **PERFECT CENTERING** for a more accurate balancing
- **"ZERO WEIGHT" EFFECT** The patented system detects the weight of the wheel and cancels it automatically
- **ERGONOMICS** to minimize the effort for the operator
- **UNIVERSALS** Applicables to any CEMB balancing machine



Single phase power supply

230V/1ph/50 hz

115V/1ph/60 Hz

Max. absorbed power

0,65 kW

Balancing speed

100 rpm

Measuring cycle for 15 kg (33 lb) wheel

4.7 s

Measurement uncertainty

1 g

Average noise

< 70 dB (A)

Rim width setting range

1.5" ÷ 20" / 40 ÷ 510 mm

Rim diameter setting range

10" ÷ 30" / 265 ÷ 765 mm

Min./Max. compressed air pressure

7 ÷ 10 kg/cm²

~ 0.7 ÷ 1 MPa

~ 7 ÷ 10 bar

~ 105 ÷ 145 psi

Max. wheel weight

< 75 kg

Machine weight

120 kg



CEMB
BALANCING MACHINES

CEMB S.p.A.

Via Risorgimento, 9
23826 Mandello del Lario (LC) - Italy
www.cemb.com



Garage equipment division
CEMB - ITALY
Plant and Training Center
Phone +39 0341 706111
garage@cemb.com

CEMB USA - BL Systems Inc.
2873 Ramsey Road
Gainesville, GA 30501 - USA
Phone +001 678 717 1050
Fax +001 678 717 1056
sales@cemb-usa.com

All the data and features mentioned in this catalogue are purely for information and do not constitute any commitment on the part of our company, which reserves the right to make any and all alterations it may consider suitable without notice.